

DESCRIPTION

BS-PE678IP1 is a IP wall mount speaker which can receive broadcast from other terminals or servers, and supports system setting via browser, which has loop detection function to detect horn.

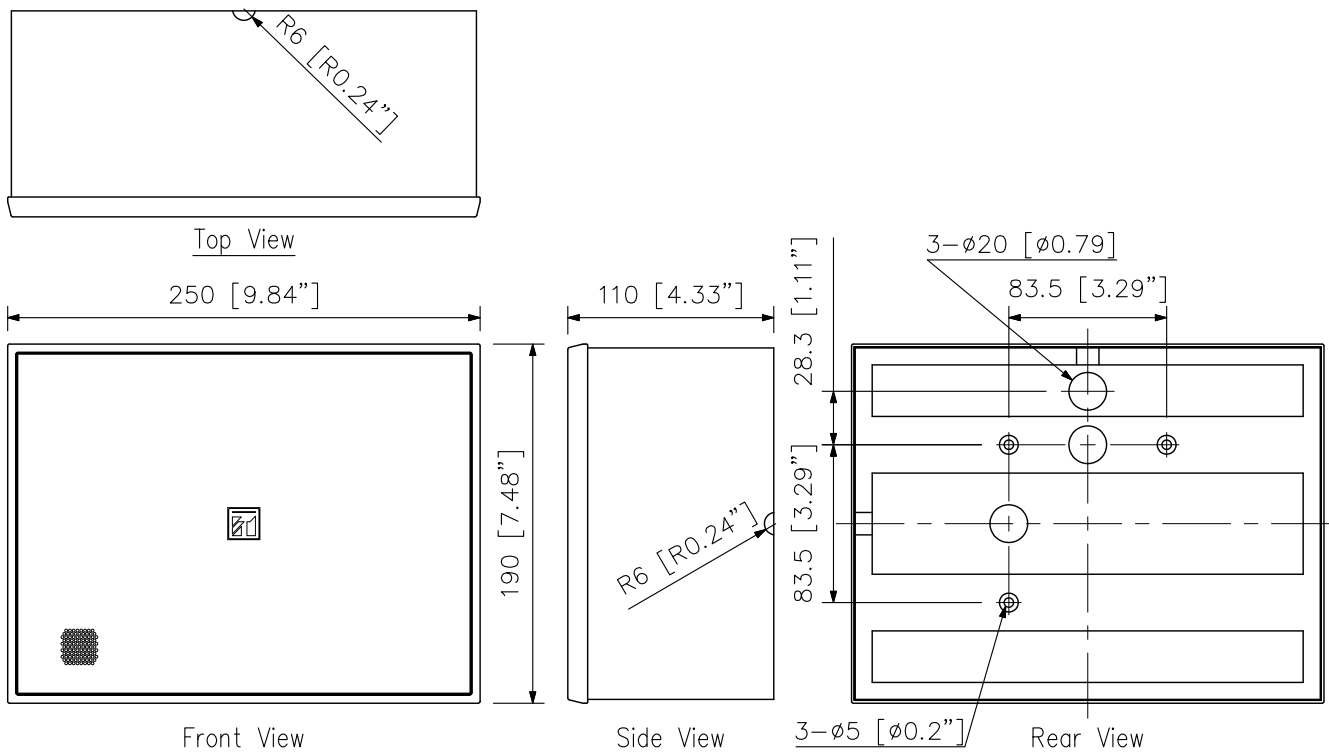
BS-PE678IP1 allows connectivity to Ethernet-powered devices.

SPECIFICATIONS

*0dB=1V

| | |
|--------------------------|--|
| Speaker Component | 6" (16cm) double cone-type |
| Power Source | DC24V, DC jack or PoE(IEEE 802.3at) |
| Power consumption | less than 5W(standby) |
| Rated Output(DC supply) | 2 x 7W |
| Rated Output(PoE supply) | 2 x 7W |
| Sound Pressure Level | 94dB (1m/1w) |
| Frequency response | 100-18,000Hz |
| Network I/F | 10BASE-T/100BASE-TX, automatic determination |
| Network protocol | UDP, ARP, ICMP, HTTP, IGMP |
| Operating Temperature | -20°C~+50°C |
| Operating Humidity | 90%RH or Less (No condensation) |
| Finish | Baffle: HIPS, off-white Cabinet: Particle board with pvc sheet, off-white Grille: Surface-treated steel plate net, off-white |
| Dimension | 250 (W) x 190 (H) x 110 (D) mm(unit only) |
| Weight | 1.56 kg (unit only) |
| Accessories | Speaker mounting screw(4 x 35)...2, 4P connection terminal(1 PCS), |

APPEARANCE



UNIT: mm